

## Power-Over-Ethernet (PoE) Weatherproof 14"x12"x7" Enclosure with Mounting Plate

Model: NB141207-400

### Applications and Features

---

**Applications:**

- Remote Wireless LAN WiFi equipment installations using Power-Over-Ethernet
- Indoor and outdoor installations
- Corrosive environments
- Hotspot applications
- Protection of equipment from theft or damage

**Features:**

- Molded fiberglass reinforced polyester enclosure
- Stainless steel quick release latches with padlock hasps
- Fully gasketed raised lid
- Integral mounting flange
- Aluminum mounting plate
- Power-Over-Ethernet (PoE) interface with lightning protection
- NEMA Type 4X / IP65 rated\*
- Mounting plate can accommodate WLAN equipment from Cisco®, Symbol®, D-Link®, HyperLink and more..
- Optional universal equipment shelf and mounting brackets available



**NB141207-400**



**Model: NB141207-400**

## Product Description

### Start with the Box...

The box is a rugged weatherproof enclosure that is ideal for both indoor and outdoor applications. Constructed from molded fiberglass reinforced polyester, it is well suited for high temperature or corrosive environments. The mounting flange allows it to be wall mounted as well as on a flat surface. The raised lid features a stainless steel continuous hinge and stainless steel quick release latches with padlock hasps. The raised lid is fully gasketed. The enclosure material is UV stabilized and comes in machine tool gray.

### Mounting Plate

The aluminum mounting plate has provisions to mount WLAN equipment from Cisco®, Symbol®, D-Link®, HyperLink and more. With the optional HGX-AMOUNT02 bracket a wide array of HyperLink Amplifiers, Power-Over-Ethernet products and Power Supplies can be mounted as well. Two of these brackets can be mounted side by side. Also available is the HGX-NMOUNT03 Universal Mounting Shelf that can be attached to the mounting plate and can accommodate additional equipment to be placed in the enclosure.

### Power-Over-Ethernet (PoE)

The Mounting Plate features a CAT5 PoE interface that is used to split the Data and Power carried by a CAT5 cable to the internal equipment and supply 48 volts DC to the cooling Fan. The interface includes Lightning Protection and support for normal and reverse polarity POE equipment. To supply the required current to the equipment and Fan, the HyperLink BT-CAT5-P1-4840 power supply and injector kit should be used. Cisco® PoE equipment requires substitution of a BT-CAT5-P1R4840 kit to supply reverse polarity 48 volts. An optional PoE interface surge protector can be added to add protection for a second CAT5 cable.

### Lightning Protection

The PoE interface features built in lightning protection. This helps add an extra level of protection to PoE equipment installed in the enclosure. In addition, the unit can accept up to two optional bulkhead-mount N-Type lightning protectors to protect the coaxial cable runs.

### Specifications

---

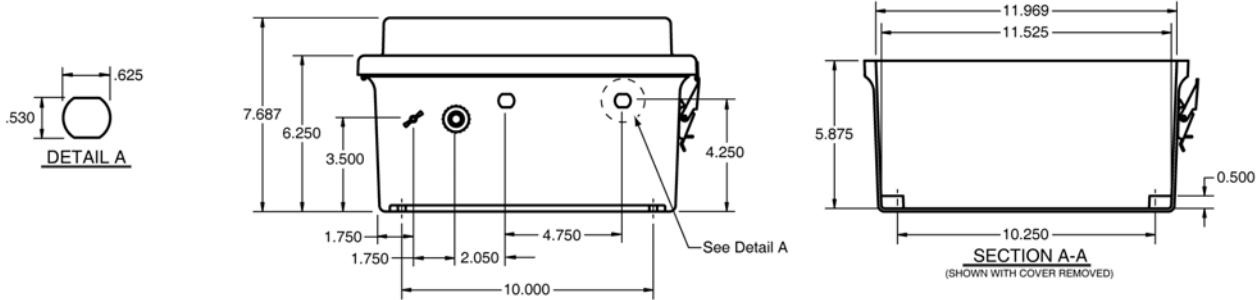
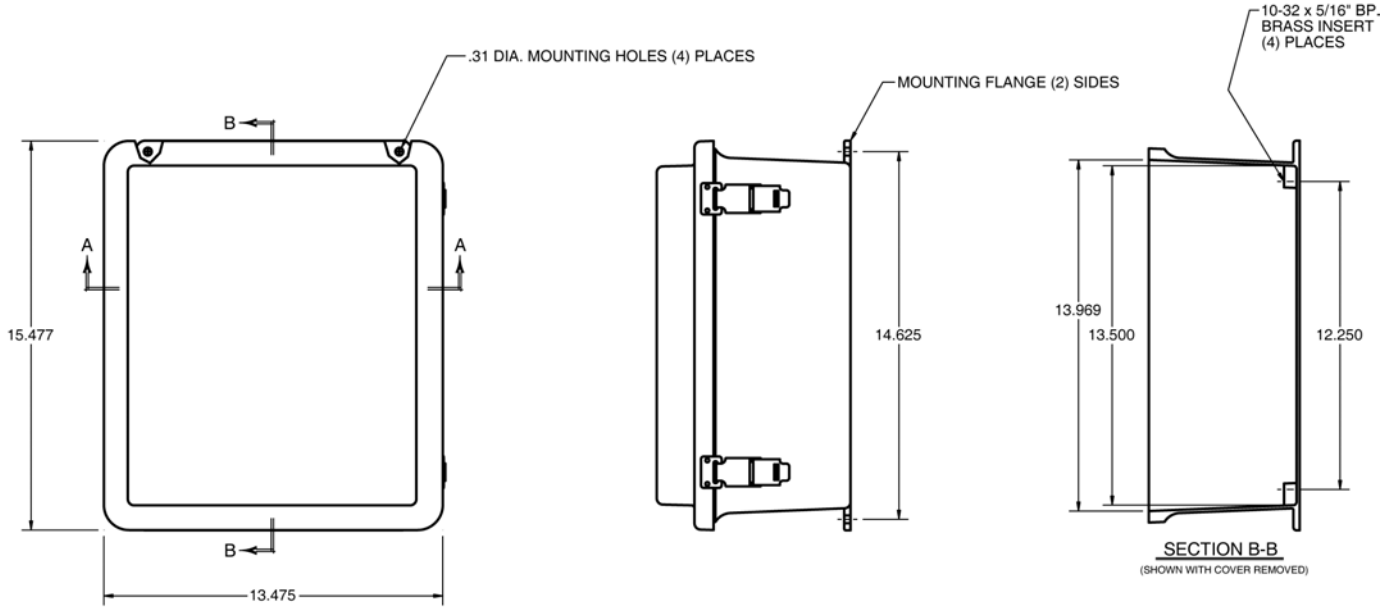
<b>Mounting Plate Material</b>	.10" (2.5mm) Thick Anodized Aluminum
<b>Mounting Plate Dimensions</b>	12.7 x 10.8 inches (32.2 x 27.4 cm)
<b>Enclosure Material</b>	Fiberglass Reinforced Polyester
<b>Enclosure Color</b>	Machine Tool Gray
<b>Weight</b>	10.6 lbs (4.8 kg)
<b>Outside Dimensions (max)</b>	15.5 x 13.5 x 7.7 inches (39.3 x 34.2 x 19.5 cm)
<b>Inside Dimensions</b>	13.5 x 11.5 x 5.8 inches (34.3 x 29.2 x 14.7 cm)
<b>Flame Rating</b>	UL 94-5V
<b>Cable Feed</b>	1/2" Cable Conduit Connector
<b>Ratings*</b>	NEMA 4X / IP65

\*Note: Enclosure ports (Cable conduit connector and N-type holes for lightning protectors or connectors) must be properly sealed to maintain NEMA 4X / IP65 rating.

Model: NB141207-400

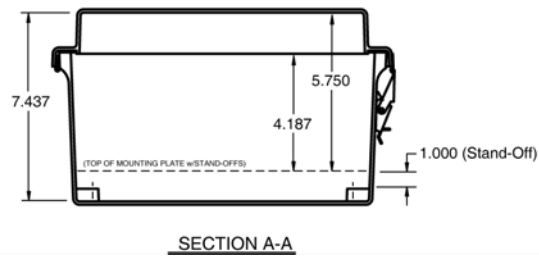
### Enclosure Dimensions

---

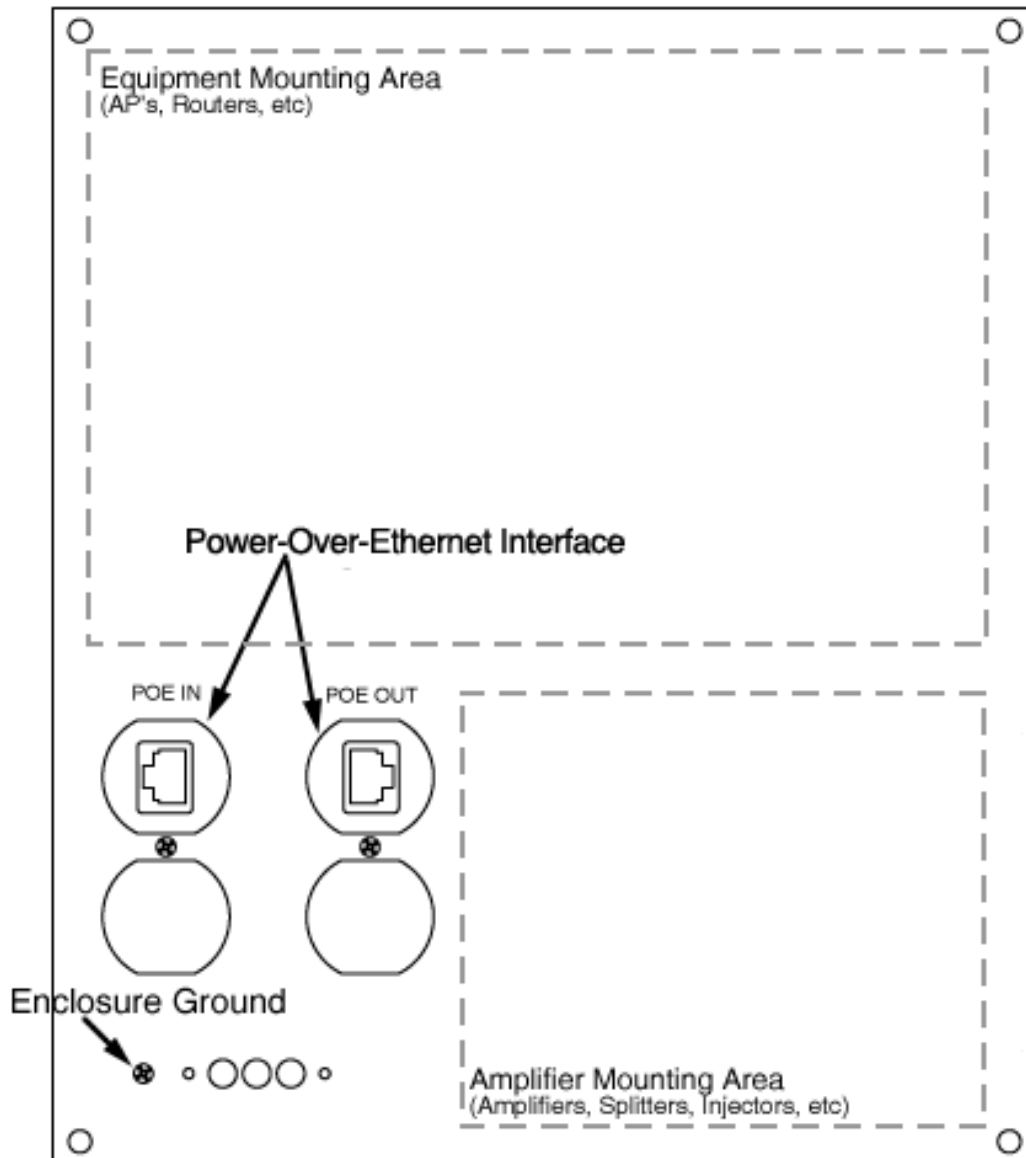


**Notes:**

- 1) Features shown may not be on all enclosure models
- 2) All dimensions in inches.



**Mounting Plate Details**



**Enclosure Sizes:** 14" x 10" x 4" (35.5 x 25.4 x 10.1 cm), Part Number **NBP141004-xxx**  
 14" x 12" x 7" (35.5 x 30.4 x 17.7 cm), Part Number **NB141207-xxx**  
 18" x 16" x 8" (45.7 x 40.6 x 20.3 cm), Part Number **NB181608-xxx**

Model Options	Enclosure with	Vented Enclosure with	Enclosure with Heat	Enclosure with Cooling Fan	Enclosure with Cooling Fan & Heat
<b>110 VAC</b>	NB141207-100 NBP141004-100 NB181608-100	-	NB141207-1H0 NB181608-1H0	NB141207-10F NB181608-10F	NB141207-1HF NB181608-1HF
<b>Power-Over-Ethernet</b>	NB141207-400 NB181608-400	NB181608-40V	-	NB141207-40F NB181608-40F	-
<b>12 VDC</b>	NB141207-500 NB181608-500	NB181608-50V	-	NB141207-50F NB181608-50F	-
<b>Sub-Zero Applications</b>	-	-	NB141207-4H0	-	-
<b>No Mounting Plate</b>	NB141207 NB181608	-	-	-	-
<b>Mounting Plate</b>	NB141207-01 NB181608-01	NB141207-00V NB181608-00V	-	-	-

### Additional Enclosure Models

### Configuration Examples



Shown with D-Link® DI-624 Wireless Broadband Router



Shown with Airespace® 1200 AP



Shown with Nortel Networks® 2230 AP

